



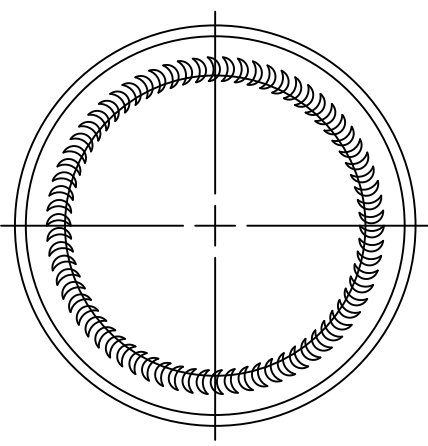
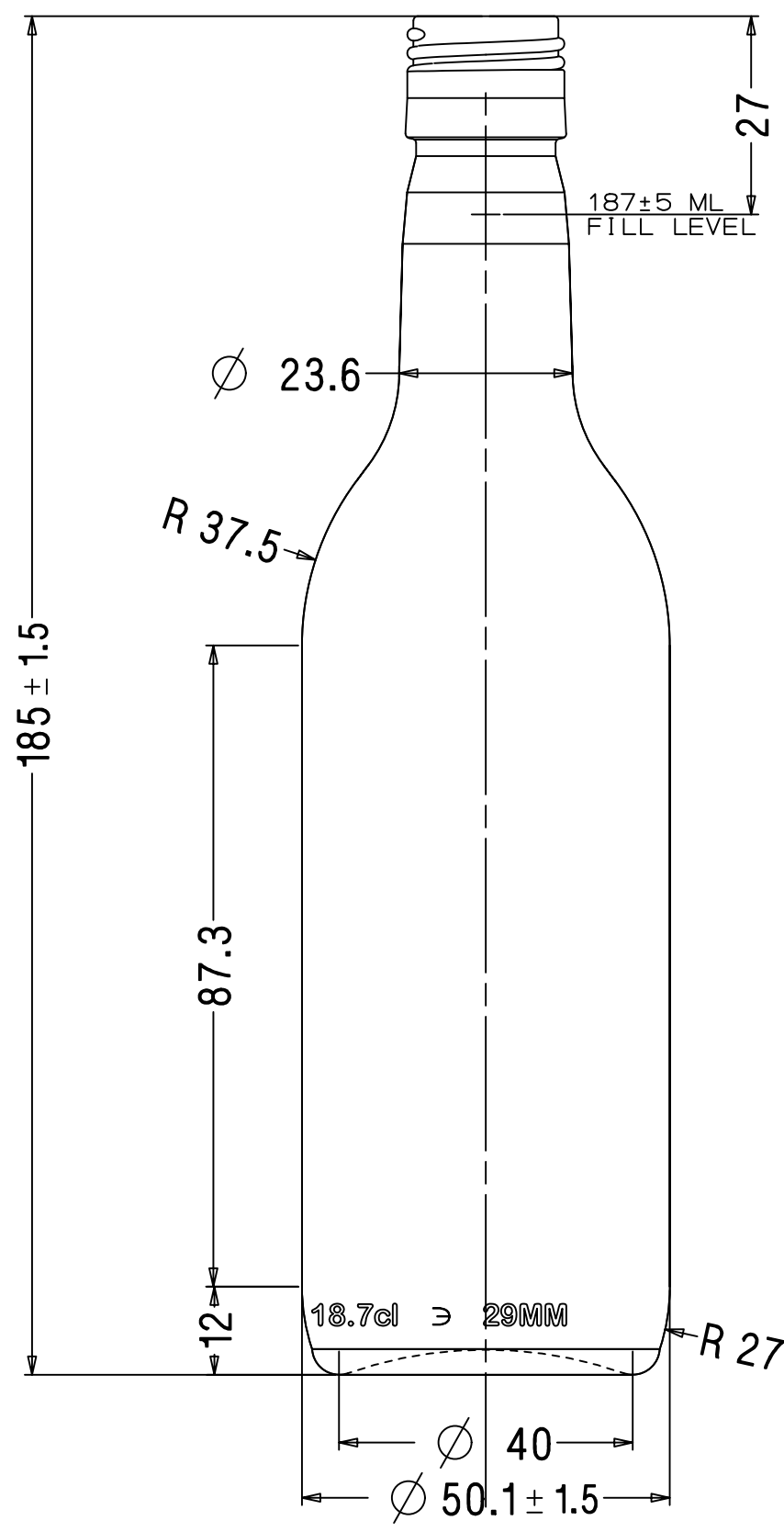
PRODUCT CATALOGUE AGE OF GLASS LTD

WINES - SPARKLING - 2025

This catalogue is not an exhaustive list of the solutions offered by the company, and does not entail permanent availability of all items listed. If you cannot find the product you are looking for, or for any other inquiry, please contact anastasios@ageofglassltd.com

16 VARDAR STREET - PETRICH, 2850, BULGARIA
T + 33 7 44 80 87 97 | INFO@AGEOFGLASSLTD.COM |
WWW.AGEOFGLASSLTD.COM

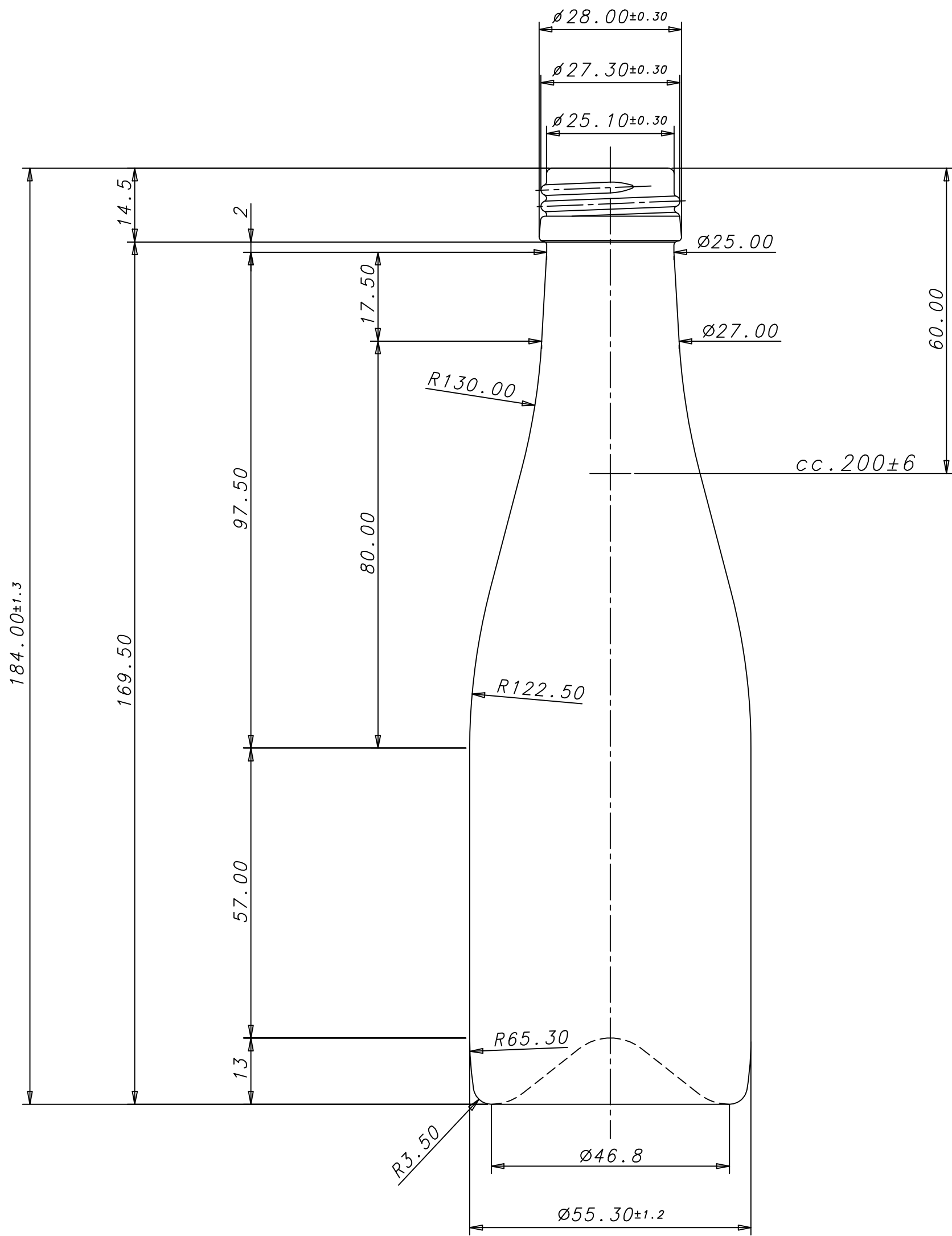
VAT: BG207498623 - DSK: BG49STSA93000030167469 - REVOLUT:
LT463250075590229566



BORDEAUX AVIATION 187.5ml PP22

| | | | | | |
|---------------|-------|--------------------------------|--------------------------------|---|--------------------------------|
| Height (mm) | 185,0 | Filing capacity (ml) | 187,5 | Reference | |
| Diameter (mm) | 50,1 | Brimfull capacity (ml) | 191 | 010066 | |
| Finish | PP22 | Colors | | | |
| Weight (gr.) | 155 | Flint <input type="checkbox"/> | Amber <input type="checkbox"/> | Green <input checked="" type="checkbox"/> | Olive <input type="checkbox"/> |

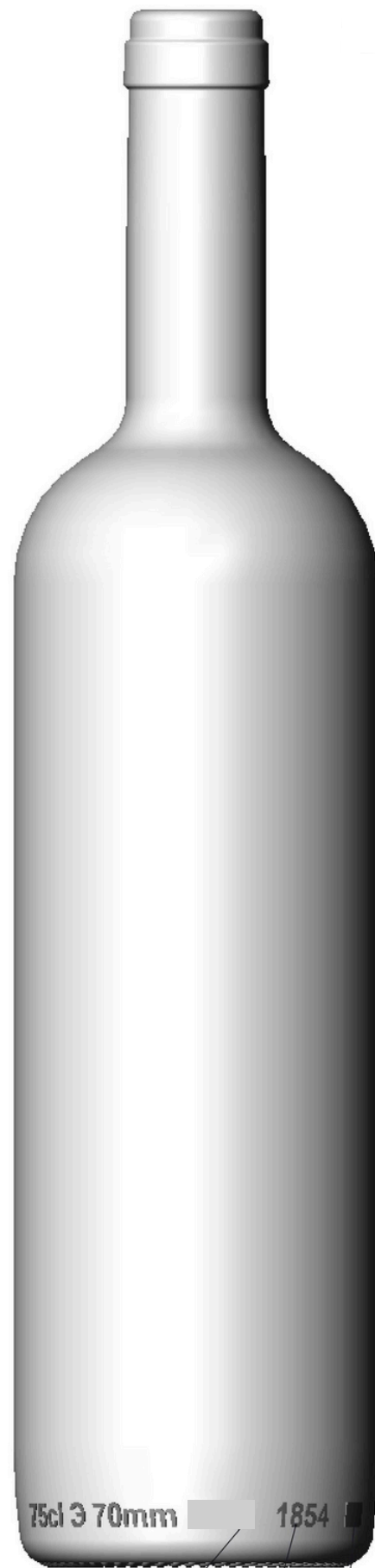
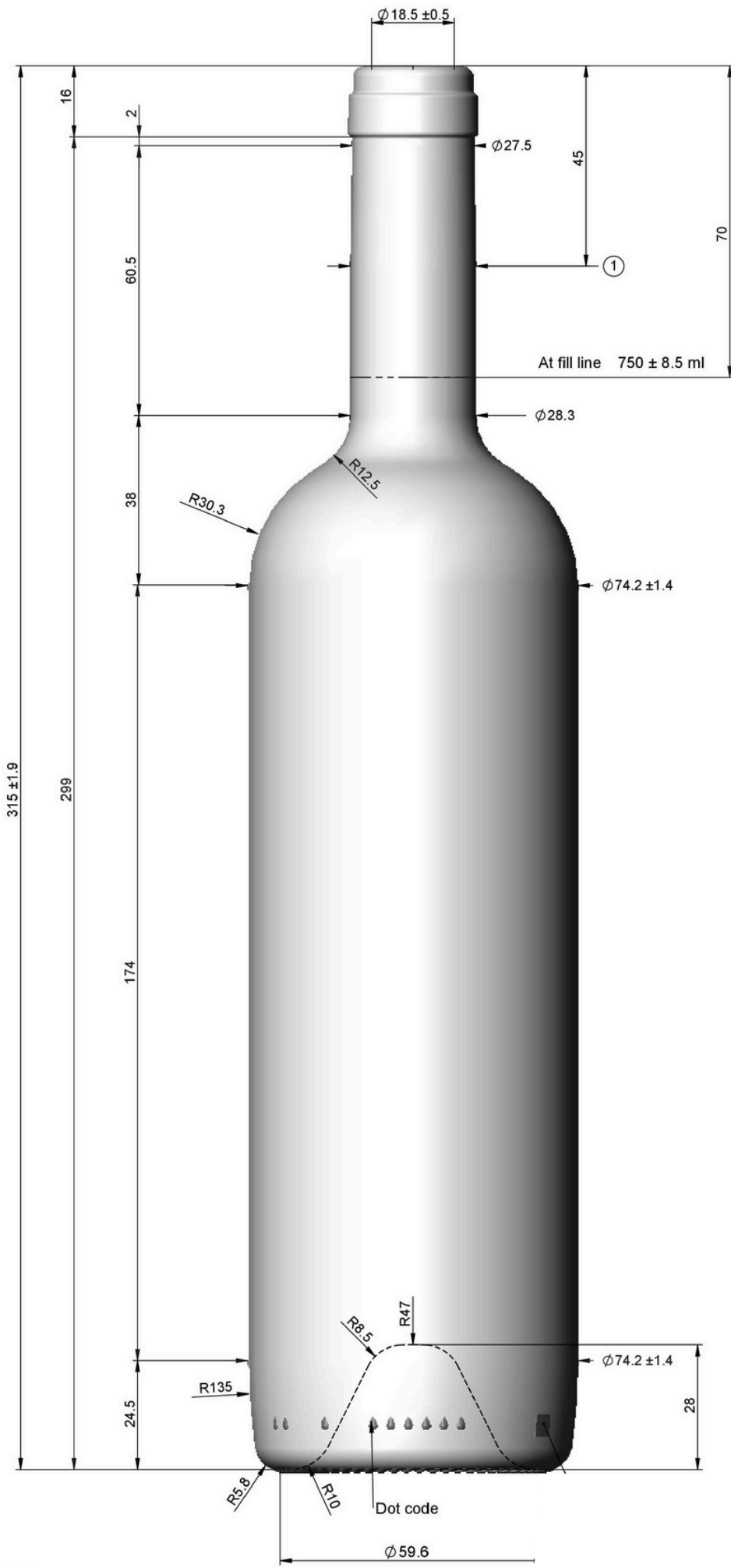





SPUMANTE 200ml MCA28

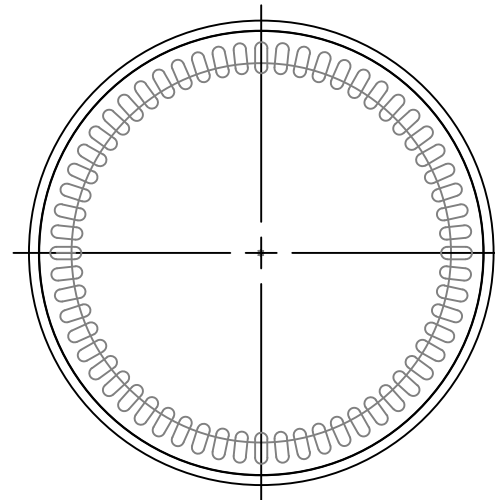
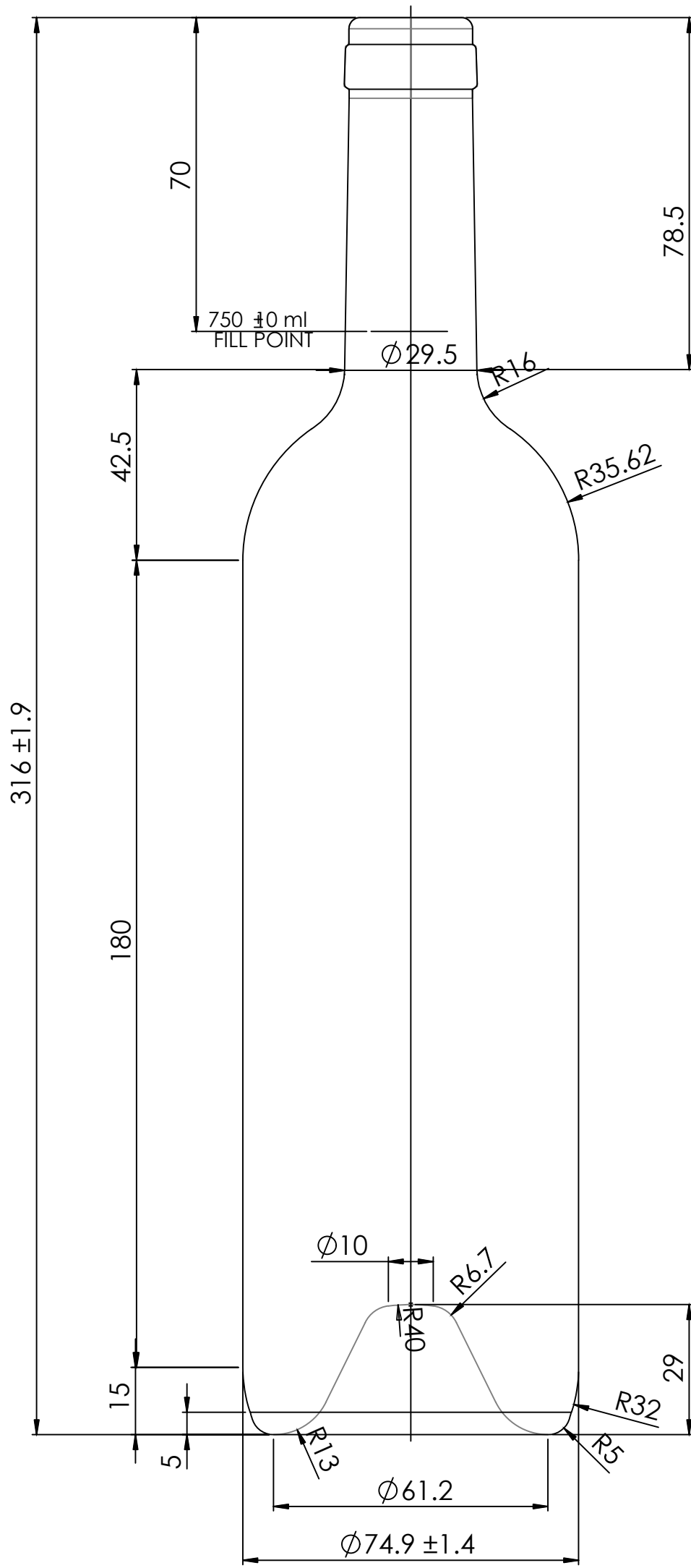
| | | | | | |
|---------------|-------|---|--------------------------------|---|--------------------------------|
| Height (mm) | 184,0 | Filing capacity (ml) | 200 | Reference | |
| Diameter (mm) | 55,3 | Brimfull capacity (ml) | 222 | 010009 | |
| Finish | MCA28 | Colors | | | |
| Weight (gr.) | 180 | Flint <input checked="" type="checkbox"/> | Amber <input type="checkbox"/> | Green <input checked="" type="checkbox"/> | Olive <input type="checkbox"/> |





BORDEAUX EUROPA AB 750ml CORK

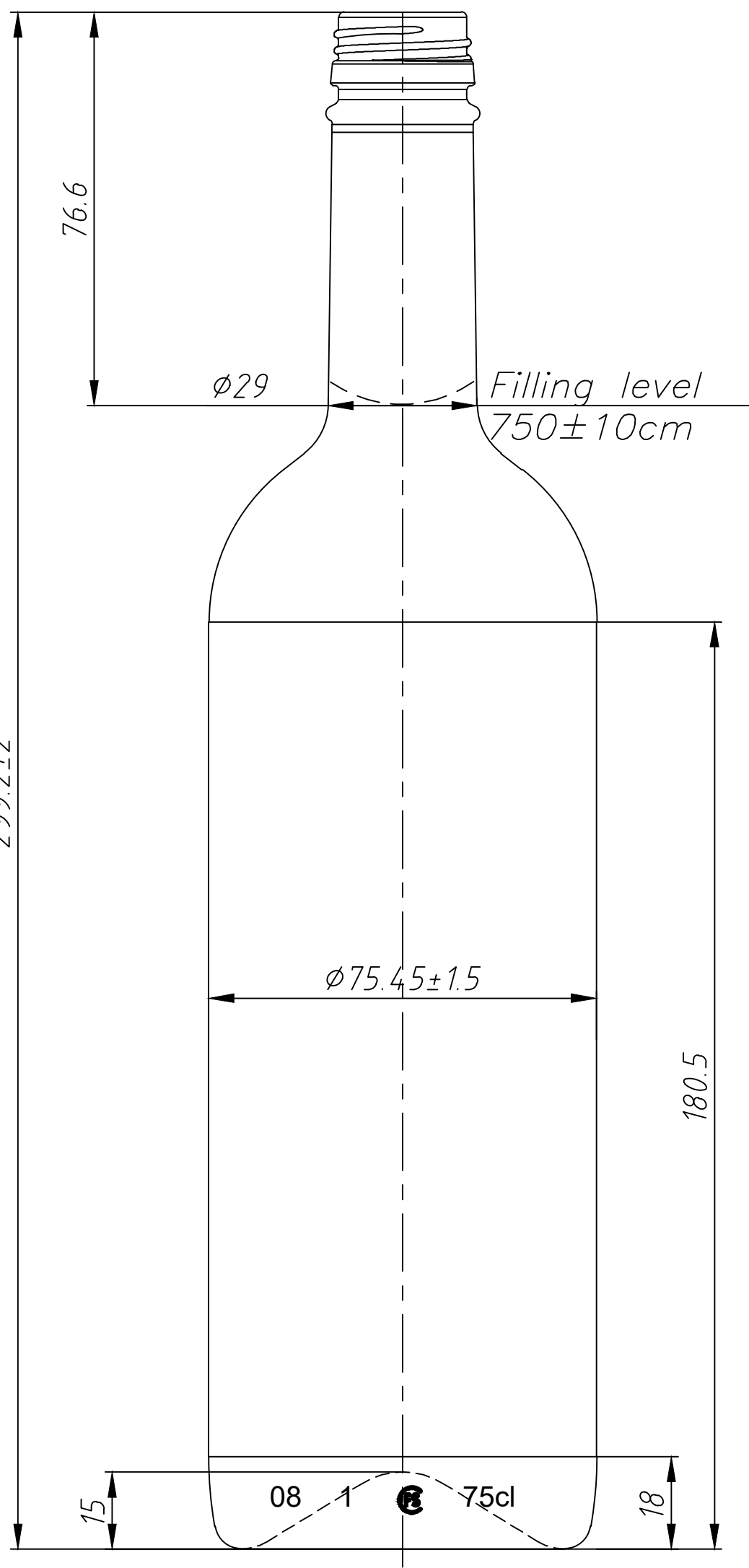
| | | | | | |
|---|---------------|--------|---|--------------------------------|---|
| 2 | Height (mm) | 315,00 | Filing capacity (ml) | 750 | Reference |
| | Diameter (mm) | 74,2 | Brimfull capacity (ml) | 772 | 010054 |
| 1 | Finish | CORK | Colors | | |
| | Weight (gr.) | 520 | Flint <input checked="" type="checkbox"/> | Amber <input type="checkbox"/> | Green <input checked="" type="checkbox"/> |
| | | | | |  |



BORDEAUX EUROPEA GEM 750ml CORK

| | | | | | |
|---------------|-------|---|--------------------------------|---|--------------------------------|
| Height (mm) | 316,0 | Filing capacity (ml) | 750 | Reference | |
| Diameter (mm) | 74,9 | Brimfull capacity (ml) | 770 | 010055 | |
| Finish | CORK | Colors | | | |
| Weight (gr.) | 560 | Flint <input checked="" type="checkbox"/> | Amber <input type="checkbox"/> | Green <input checked="" type="checkbox"/> | Olive <input type="checkbox"/> |

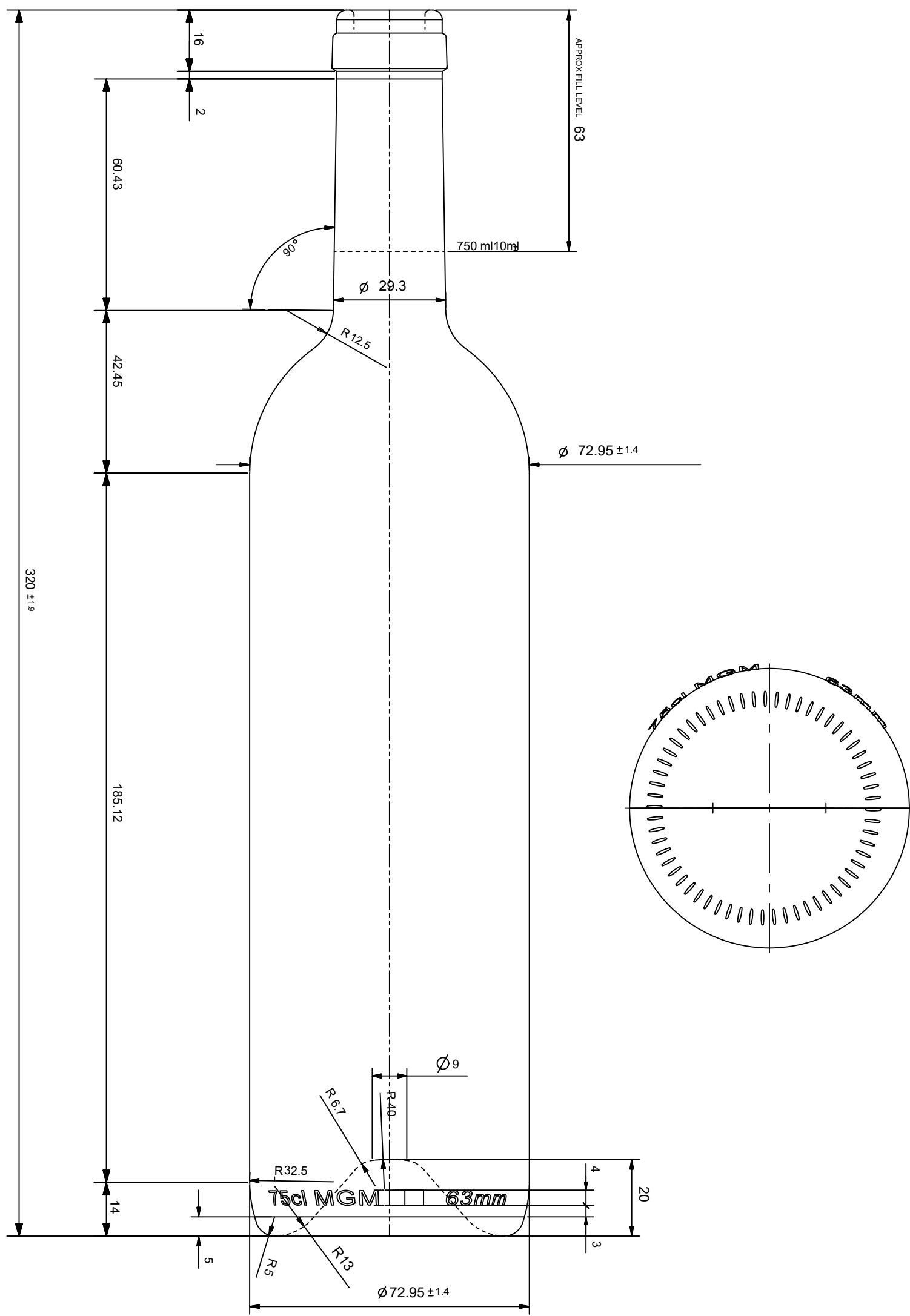




BORDEAUX 750ml MCA28

| | | | | | |
|---------------|-------|---|--------------------------------|--------------------------------|--------------------------------|
| Height (mm) | 299,2 | Filing capacity (ml) | 750 | Reference | |
| Diameter (mm) | 75,5 | Brimfull capacity (ml) | - | 010056 | |
| Finish | MCA28 | Colors | | | |
| Weight (gr.) | 428 | Flint <input checked="" type="checkbox"/> | Amber <input type="checkbox"/> | Green <input type="checkbox"/> | Olive <input type="checkbox"/> |

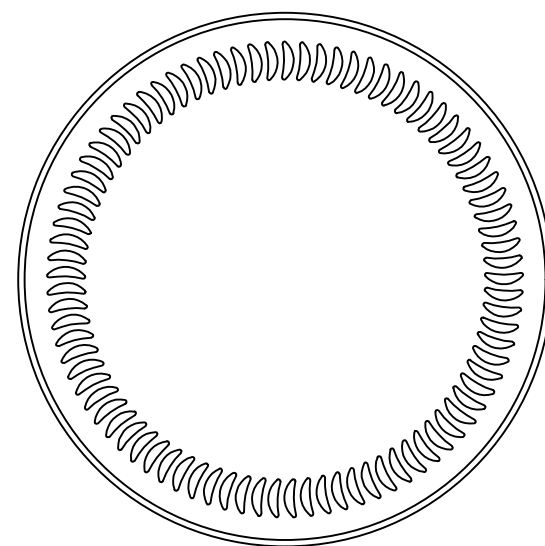
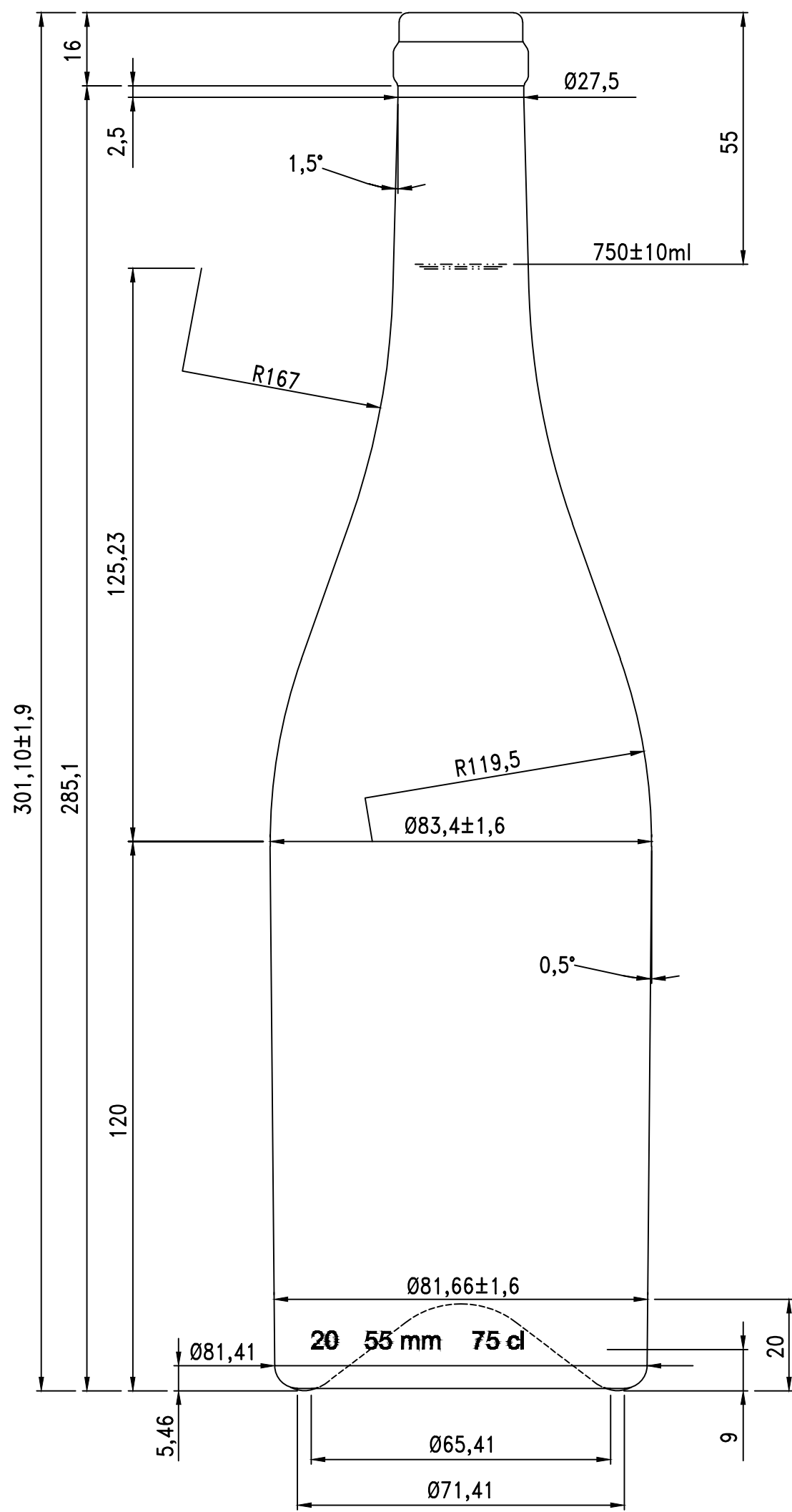





BORDEAUX GEM 750ml NOBILE CORK

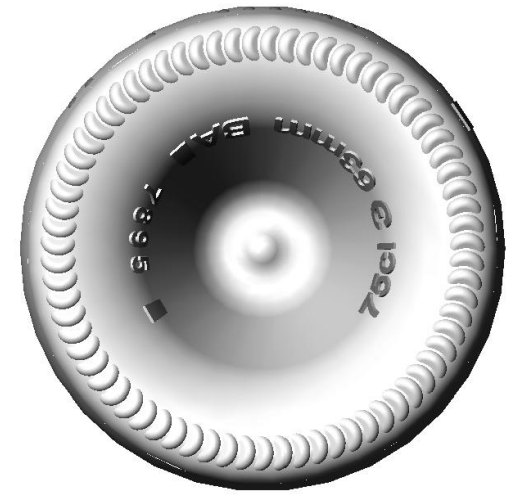
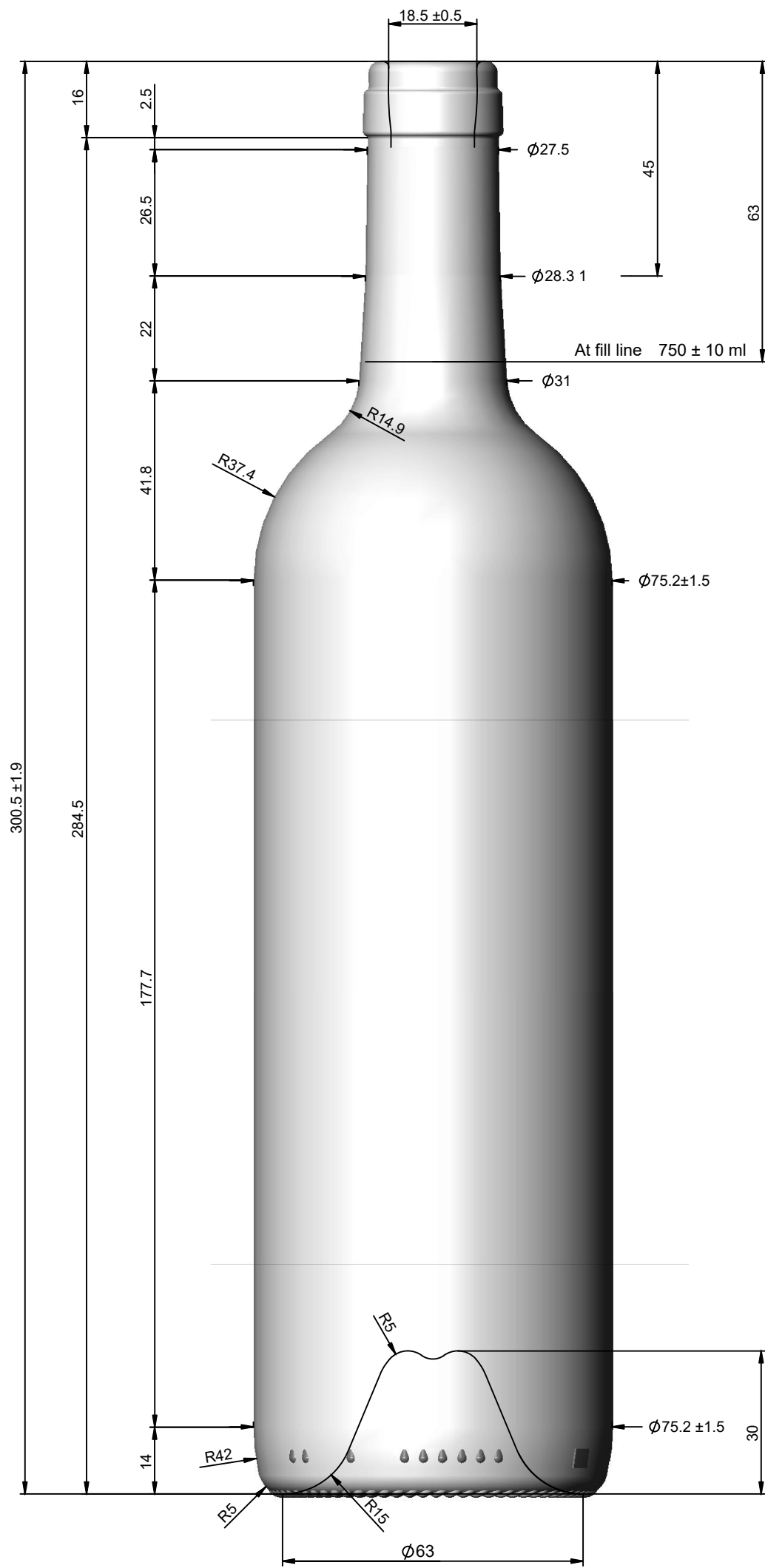
| | | | | |
|---------------|-------|---|--------------------------------|---|
| Height (mm) | 320,0 | Filing capacity (ml) | 750 | Reference |
| Diameter (mm) | 73,0 | Brimfull capacity (ml) | 770 | 010057 |
| Finish | CORK | Colors | | |
| Weight (gr.) | 510 | Flint <input checked="" type="checkbox"/> | Amber <input type="checkbox"/> | Green <input checked="" type="checkbox"/> |





BURGUNDY GEM 750ml CORK

| | | | | |
|---|-------|---|--------------------------------|---|
| Height (mm) | 301,1 | Filling capacity (ml) | 750 | Reference |
| Diameter (mm) | 81,7 | Brimfull capacity (ml) | 770.1 | 010058 |
| Finish | CORK | Colors | | |
| Weight (gr.) | 532 | Flint <input checked="" type="checkbox"/> | Amber <input type="checkbox"/> | Green <input checked="" type="checkbox"/> |
|  | | | | |



NEO TRADITION 750ml CORK

| | | | | | |
|---------------|-------|--------------------------------|--------------------------------|--------------------------------|--------------------------------|
| Height (mm) | 300,5 | Filing capacity (ml) | 750 | Reference | |
| Diameter (mm) | 75,2 | Brimfull capacity (ml) | 770 | 010065 | |
| Finish | CORK | Colors | | | |
| Weight (gr.) | 500 | Flint <input type="checkbox"/> | Amber <input type="checkbox"/> | Green <input type="checkbox"/> | Olive <input type="checkbox"/> |

